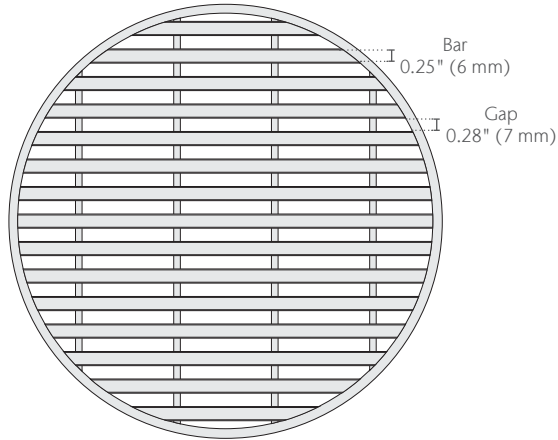


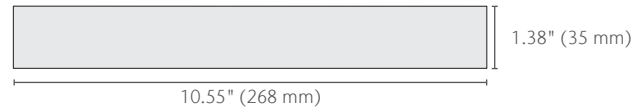
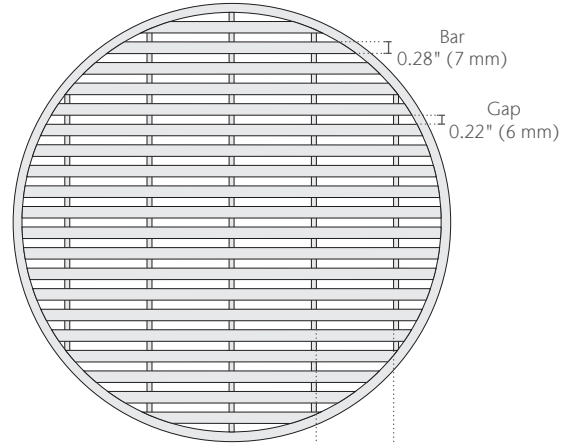
Round Heelsafe Grate Spec Sheet



9" Round Heelsafe Grate



12" Round Heelsafe Grate



Product Name	Part No.	Weight lbs	Material	EN1253 Load Class	ASME Load Class
Round Heelsafe Grate 9"	447725	3.5	AISI 304	R50	Medium Duty
	447733	3.5	AISI 316L	R50	Medium Duty
Round Heelsafe Grate 12"	447729	5.3	AISI 304	R50	Medium Duty
	447737	5.3	AISI 316L	R50	Medium Duty

Specification Clause

Used with ACO Round Floor Drains. Made from AISI 304 or AISI 316L. Pickled passivated finish. Load class per ASME A112.6.3, section 5. Complies with ADA - American Disabilities Act of 2010 Section 302.3.

ACO recommends checking local plumbing codes prior to installation.



ADA-compliant per The Americans with Disabilities Act of 2010, Section 302.3

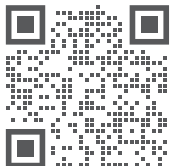


ACO Heel-safe standard: grate hole size $\leq 0.25"$ (6.5 mm)

ACO, Inc.

© January 2026 ACO, Inc.

All reasonable care has been taken in compiling the information in this document. All recommendations and suggestions on the use of ACO products are made without guarantee since the conditions of use are beyond the control of the company. It is the customer's responsibility to ensure that each product is fit for its intended purpose and that the actual conditions of use are suitable. ACO, Inc. reserves the right to change products and specifications without notice.



info@acousa.com
www.acousa.com

